

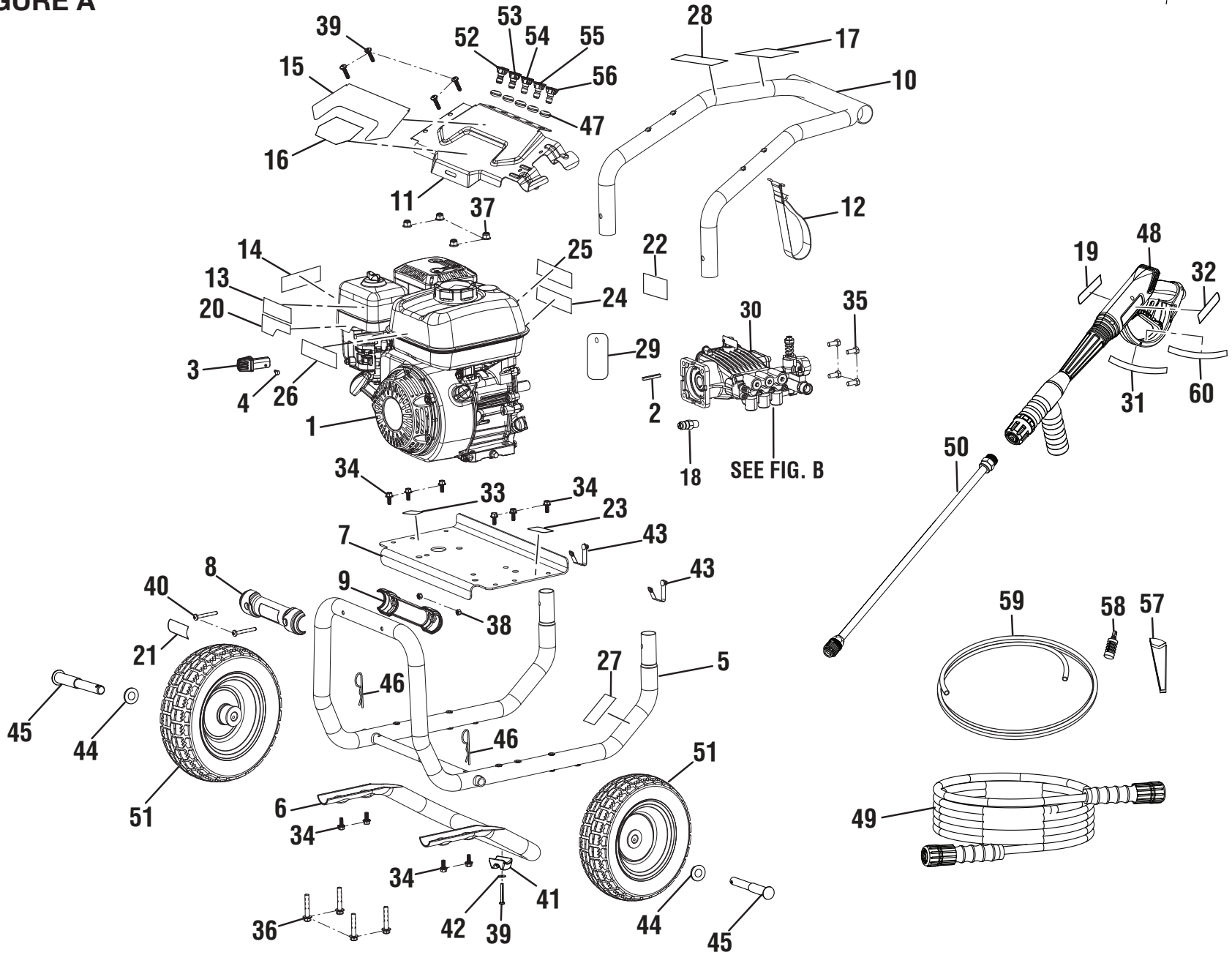
RYOBI
Pressure Washer
Mfg No. 090079405
Model No. RY803600
Replacement Parts List

TECHTRONIC INDUSTRIES POWER EQUIPMENT

P.O. Box 1288, Anderson, SC 29622, USA
1-800-860-4050 • www.ryobitools.com

RYOBI PRESSURE WASHER – MODEL NO. RY803600

FIGURE A



RYOBI PRESSURE WASHER – MODEL NO. RY803600

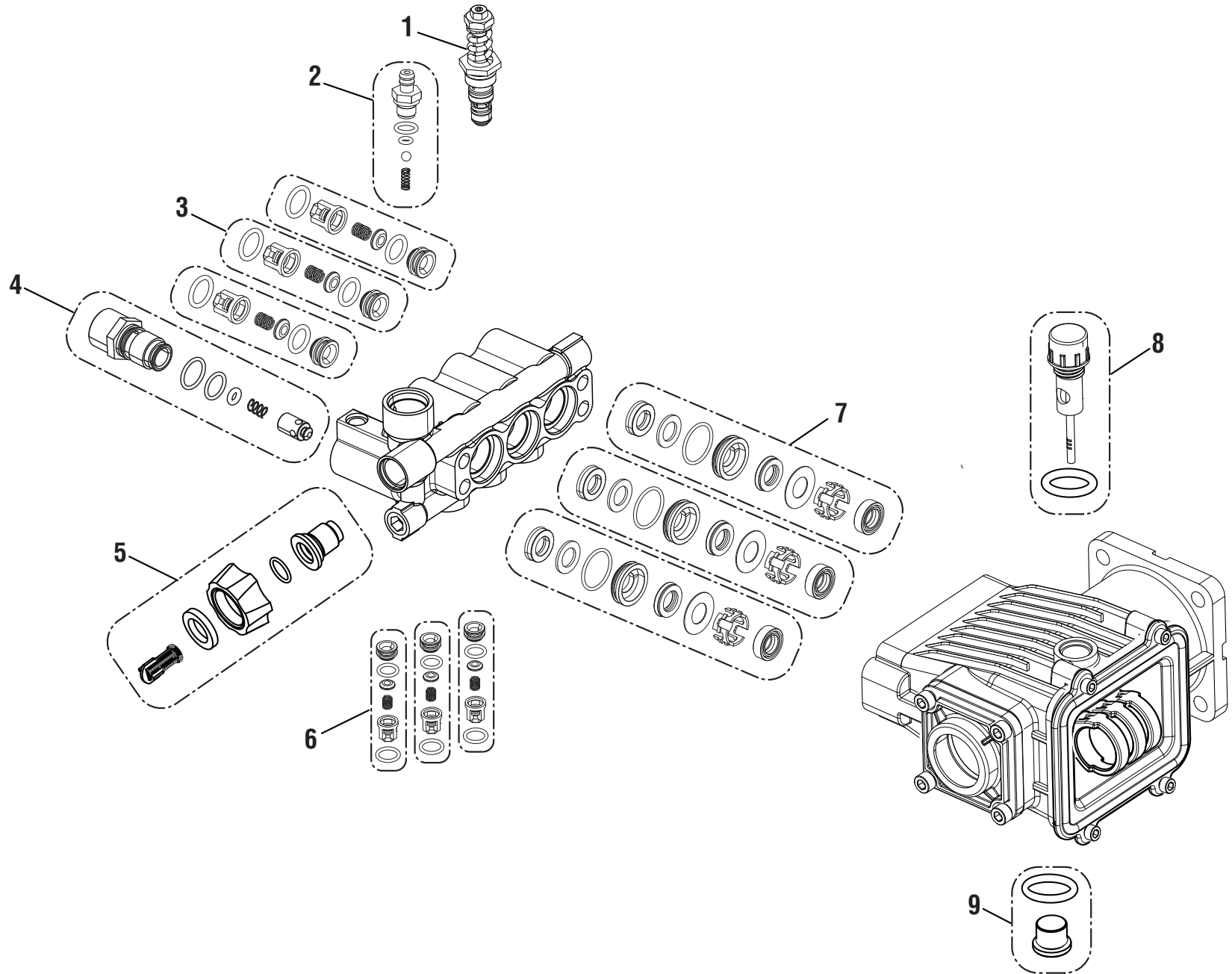
The model number will be found on a label attached to frame. Always mention the model number in all correspondence regarding your **PRESSURE WASHER** or when ordering replacement parts.

FIGURE A PARTS LIST

KEY P/N	DESCRIPTION	QTY	KEY P/N	DESCRIPTION	QTY	KEY P/N	DESCRIPTION	QTY
1	Note A	1	23	940871016 Lubricant Label.....	1	42	638128004 Washer (1/4 in.).....	1
2	678041007 Output Shaft Key.....	1	24	940947016 Combustion Label.....	1	43	308421004 Lock Button w/Spring Clip.....	2
3	528743010 Throttle Lever Knob.....	1	25	940894022 Danger Label.....	1	44	638275002 Washer (1/2 in.).....	2
4	524014003 Hey Clip Drive Fastener.....	1	26	940872003 E85 Label.....	1	45	620599040 Axle.....	2
5	308471053 Main Frame Assembly (Inc. Key No. 43).....	1	27	941486008 Inquiries Label.....	1	46	678238001 Hitch Pin.....	2
6	308774006 Rear Frame Assembly (Inc. Key Nos. 39 & 41-42).....	1	28	961039006 Nozzle Hangtag.....	1	47	561383004 Rubber Grommet.....	5
7	638662029 Engine Plate.....	1	29	940851346 Danger Hangtag.....	1	48	308760068 Trigger Handle (Inc. Key Nos. 31-32 & 60).....	1
8	522951003 Handle Grip (Front).....	1	30	308653094 Pump.....	1	49	308835097 High Pressure Hose.....	1
9	522951004 Handle Grip (Back).....	1	31	940851410 Trigger Handle Rating Label ...	1	50	308506014 Spray Wand.....	1
10	308638073 Handle Assembly.....	1	32	940851411 Trigger Handle Warning Label (Eng).....	1	51	308451076 Wheel.....	2
11	638671021 Performance Panel.....	1	33	940676024 Data and Warning Label.....	1	52	308697029 0 Deg Nozzle.....	1
12	308350003 Hose Holder Strap.....	1	34	661505020 Bolt (M6 x 16 mm, Flange Hd.)....	10	53	308698029 15 Deg Nozzle.....	1
13	940851407 Choke and Fuel Valve Label ...	1	35	661557001 Bolt (5/16-24 x 3/4 in., Hex Hd.)....	4	54	308699029 25 Deg Nozzle.....	1
14	940851409 Hot Surface and Exhaust Label.....	1	36	660764002 Bolt (M8 x 1.25 x 40 mm, Flange Hd.).....	4	55	308700030 40 Deg Nozzle.....	1
15	940851413 Performance Label (Upper)....	1	37	678774002 Lock Nut (M8 x 1.25).....	4	56	308706015 Soap Nozzle.....	1
16	940851421 Performance Label (Lower).....	1	38	678610006 Lock Nut (M6).....	2	57	519314001 Funnel.....	1
17	918016028 Quick Start Hangtag.....	1	39	660224009 Screw (M6 x 25 mm, T30 Torx Hd.)....	5	58	308103015 Injection Hose Filter.....	1
18	678169004 Thermal Release Valve.....	1	40	661503015 Bolt (M6 x 48 mm, T30 Torx Hd.)...	2	59	561399003 Injection Hose.....	1
19	940851416 Trigger Handle Logo Label.....	1	41	561307007 Wear Pad.....	1	60	940851412 Trigger Handle Warning Label (Fr/Sp).....	1
20	940851417 Throttle Label.....	1				Not Shown:		
21	940851418 Handle Grip Logo Label.....	1				900333015	Wire Tie	
22	940851419 Pump Logo Label.....	1				995000428	Operator's Manual	
						995000429	Quick Reference Guide	

NOTE A: Techtronic Industries Power Equipment, Inc., will not provide complete engines as replacement parts. Engines are covered through the engine manufacturer's warranty. Consult the accompanying engine manual or contact our service department for assistance.

FIGURE B



RYOBI PRESSURE WASHER – MODEL NO. RY803600

The model number will be found on a label attached to frame. Always mention the model number in all correspondence regarding your **PRESSURE WASHER** or when ordering replacement parts.

FIGURE B PARTS LIST

KEY	P/N	DESCRIPTION	QTY
1	120883001	Unloader Assembly	1
2	120883002	Soap Injector Kit	1
3	120883003	Inlet Valve Kit.....	3
4	120883004	Outlet Connector Kit	1
5	120883005	Inlet Assembly Kit	1
6	120883006	Outlet Valve Kit.....	3
7	120883007	Pressure Seal Kit.....	3
8	120883008	Vent Plug Kit.....	1
9	120883009	Oil Plug Kit	1